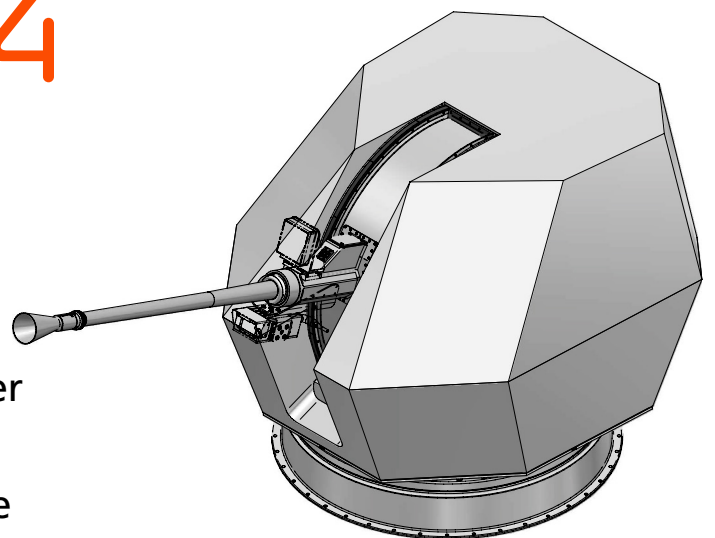




# Bofors 40 Mk4

## Naval Gun System

Today's naval assets need to swiftly adapt to an unprecedented range of roles and scenarios. When survival hangs on a matter of seconds, they must be equipped with agile, flexible weapon systems that enable a lightning-quick response.





# When **every** second counts

The Bofors 40 Mk4 naval gun system is designed to meet that demand. Its low weight and compact dimensions combine with a long range and a high rate of fire. It has the capability to rapidly switch between optimised ammunition types,

including programmable 40mm 3P all-target ammo. This delivers high tactical and operational flexibility alongside outstanding survivability, giving ships the advantage in conflicts of any kind.

## Typical Applications

### Peacekeeping operations

The weapon system fulfils a preventative role, for example by firing warning shots.

### Law enforcement missions

Threats such as pirates, smugglers and terrorists require the weapon to respond to multiple small, unpredictable targets.

### Full war conditions

The system is vital for defence against hostile ships, attack aircraft, anti-ship missiles and shore targets.

### Littoral scenarios

The weapon is equipped with a superior level of target capability, beyond the engagement ability of conventional gun systems.



## SIMPLE INTEGRATION

The system's light weight and modest size are made possible by innovative features including its electric drive system. It also has a fully-digitised modular architecture, providing weapon synergies and future flexibility. Programmable 3P ammo means less round types are needed, reducing transport, storage, weight and space. These aspects combine to provide straightforward, cost-effective integration.

## QUICK FLEXIBLE RESPONSE

The Bofors 40 Mk4 can go from warning to destruction in less than 0.5 seconds. The 3P ammo can be programmed for optimised effect against any target, including airburst patterns for new threats that were previously impossible to engage. The automatically loaded, remotely controlled weapon can also be locally controlled as a backup, equipping the operator for any scenario.



## Key Features

### Control

- Computer-controlled burst pattern
- On-mount muzzle velocity radar
- Remotely-operated with gyro-stabilised local control backup

### Technical Data

#### Standard specifications

- Calibre: 40 mm L/70
- Weight excl. ammunition: 2,300 kg
- Height: < 2.0 m
- Elevation limits: -20 to +80 degrees
- Training limits: unlimited (slip ring)
- Remote control with gyro-stabilised local control back-up

### Firing

- 6-mode programmable all-target ammunition
- Short firing sequences:  
300 rounds per minute  
Superb accuracy
- 100 rounds ready to fire with the possibility to shift between different types of ammunition
- Air burst capability for small boat defence and engagement of concealed targets

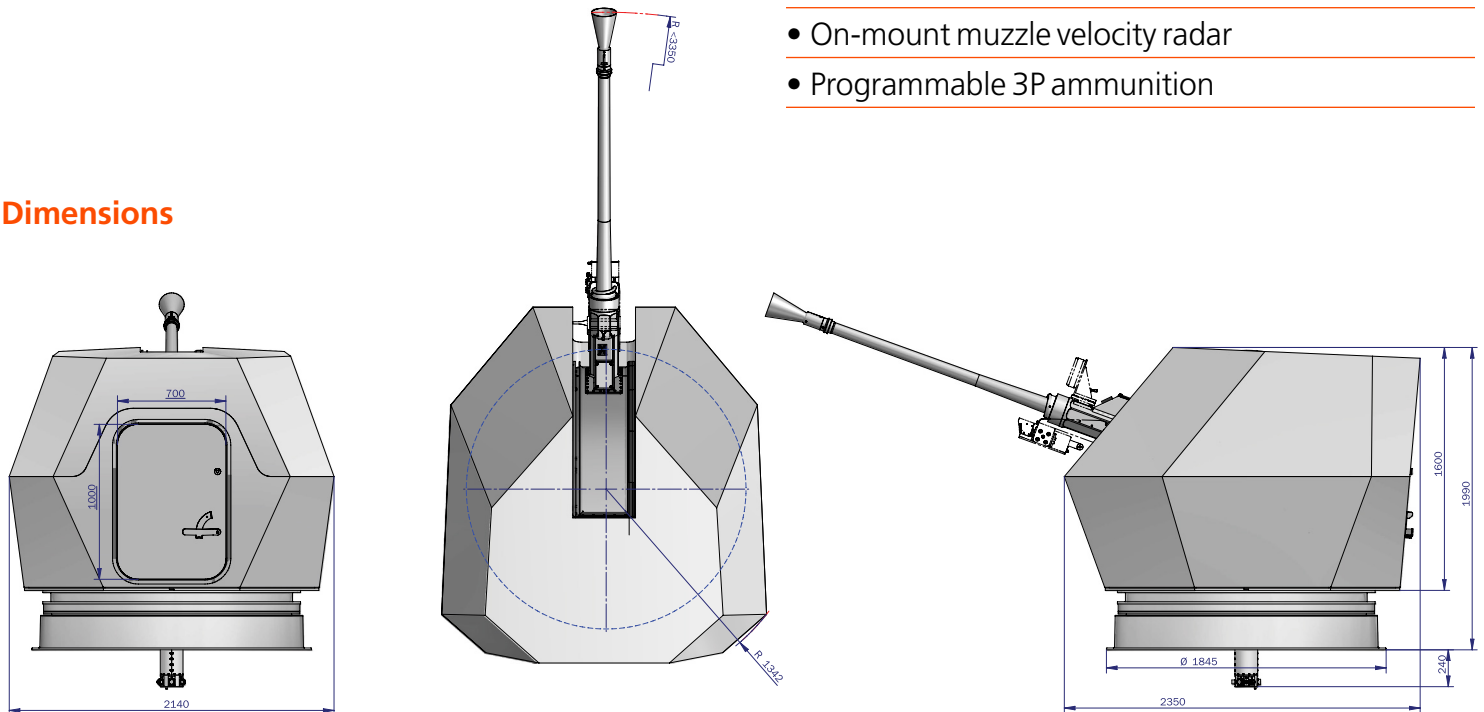
#### Performance

- Maximum range: 12,500 m
- Rate of fire: 300 rounds/min
- Muzzle velocity: 1012 m/s (3P)
- Number of rounds available in gun:  $\geq 100$
- Barrel life: up to 5,000 rounds

#### Options

- On-mount TV camera
- On-mount muzzle velocity radar
- Programmable 3P ammunition

### Dimensions



**BAE Systems, Inc.**  
Platforms & Services  
baesystems.com

**For more information contact**  
platforms.services@baesystems.com

#### Disclaimer and copyright

This document gives only a general description of products and services and except where expressly provided otherwise shall not form part of any contract. From time to time, changes may be made in the products or conditions of supply.

#### © 2018 BAE SYSTEMS. All rights reserved.

The information contained in this document is proprietary to BAE SYSTEMS unless stated otherwise and is made available in confidence; it must not be used or disclosed without the express written permission of BAE SYSTEMS. This document may not be copied in whole or in part in any form without the express written consent of BAE SYSTEMS which may be given by contract.

BAE SYSTEMS is a registered trade mark of BAE Systems plc.

8.18.40Mk4.BTR

Approved for public release 01.15.